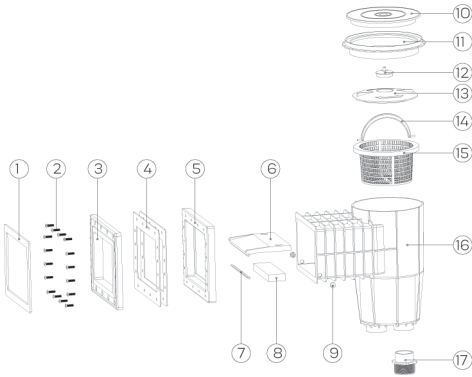
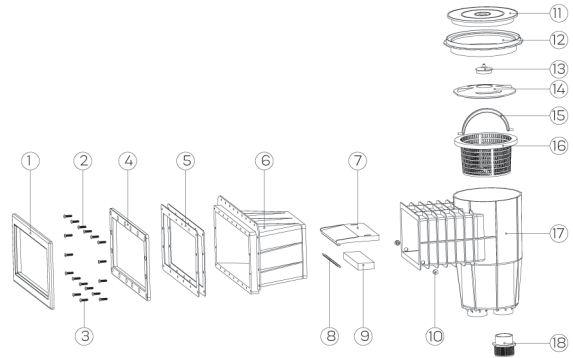


LINER SKIMMER SPARE PARTS

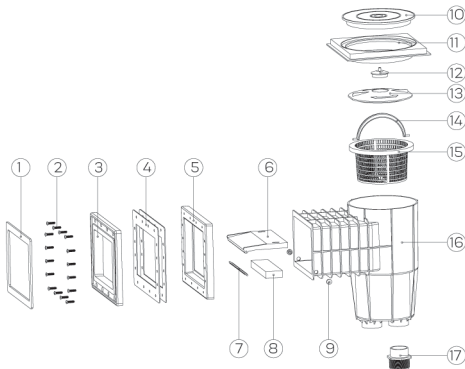
round lid standard throat



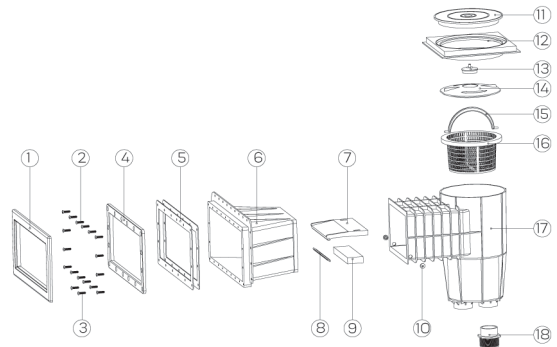
round lid wide throat



square lid standard throat



square lid wide throat



Code	Spare Parts Code	Description	Quantity
1	02010103-0003	Pad flange cover	1
2	02010102-0003	Screws	16
3	02010103-0002	Small-mouthed pad flange	1
4	02010103-0001	Rubber sealing	2
5	02010103-0004	Prefabricated small-mouthed pad	1
6	02010101-0011	Floating door	1
7	02010101-0012	Floating door hinge	1
8	02010101-0014	Floating door plastic blocks	1
9	02010101-0003	Plug	2
10	02010101-0002	Skimmer lid	1
11	02010111-0009	Infilling clasp	1
12	02010101-0004	Skimmer small lid	1
13	02010101-0008	Lid of the basket	1
14	02010101-0007	Hand lifting loop	1
15	02010101-0006	Skimmer basket	1
16	02010101-0001	Skimmer main support	1
17	02010101-0010	Connector with thread	1

Code	Spare Parts Code	Description	Quantity
11	02010111-0009	Infilling clasp	1

Code	Spare Parts Code	Description	Quantity
1	02010102-0004	Wide-mouthed flange cover	1
2	02010102-0003	Screws	16
3	7011448016	Tapping nail	2
4	02010102-0002	Wide-mouthed flange	1
5	02010104-0002	Rubber sealing	2
6	02010104-0001	Skimmer wide mouth	1
7	02010101-0011	Skimmer floating door	1
8	02010101-0012	Floating door hinge	1
9	02010101-0014	Floating door plastic blocks	1
10	02010101-0003	Plug	2
11	02010101-0002	Skimmer lid	1
12	02010111-0009	Infilling clasp	1
13	02010101-0004	Small lid of skimmer	1
14	02010101-0008	Basket lid	1
15	02010101-0007	Hand lifting loop	1
16	02010101-0006	Skimmer basket	1
17	02010101-0001	Main support	1
18	02010101-0010	Connector with thread	1

Code	Spare Parts Code	Description	Quantity
12	02010111-0009	Infilling clasp	1