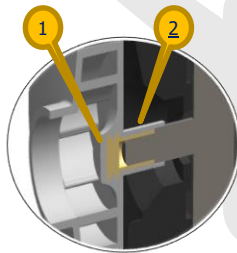


NINGBO DONGCHUAN  
SWIMMING POOL EQUIPMENTS CO. LTD.

**PRODUCT: “SPARTA PUMP”**

MAY 2020

# All-around Pump strong and durable for above and in-ground pools



1 – Impeller without fixing nut.  
2 – Salt Chlorinators friendly. The plastic sleeve in the impeller prevents the motor shaft and brass insert from making contact with the water.

**SPARTA** pumps are designed to work under a vast type of conditions. It doesn't matter the pool type it always works delivering the requested flow and pressure.

**SPARTA** range is built to be easy to operate including features just like, see-through lid for easy inspection and a large strainer extends time between cleanings. Motor materials are rustproof, steel motor shaft and sealed bearings that never need lubrication. Its thermoplastic housing withstands extreme heat and resist corrosion.

Five models are available 033, 050, 075, 100 and 125 with a new impeller design.

**SPARTA** is easy to maintain, see-through lid, large strainer and easy-to-remove drain caps for fast winterization and less chances to leak. these and other features make it an all around pump.

A new cover nut makes easy maintenance operations in the strainer.

All the material have been selected with a unique target that is to make **SPARTA** Strong and Durable.

Every **SPARTA** pump is performance and pressure tested prior to shipment to ensure superior quality.

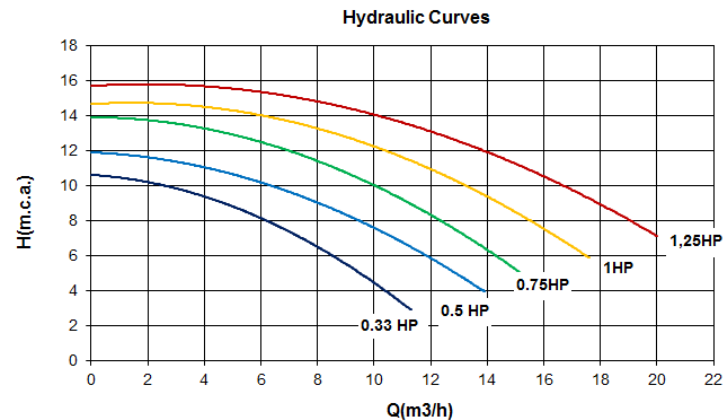
Other options like 230V and 60Hz motors and ASTM/BS connections are available. For further information please contact with the factory.

TUV GS Certified

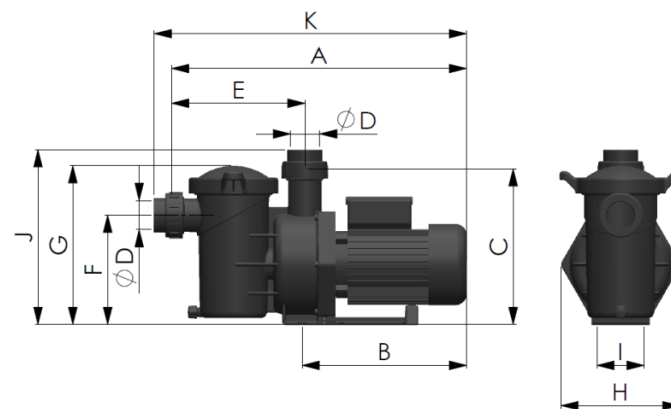


## Specifications & Codes

CODE	MODEL	TYPE	H m.w.c.	Flow m3/h
04010G01	033	230V 50HZ SINGLE PHASE	6	8,5
04010G02	050		8	10,5
04010G03	075		10	10,3
04010G04	100		12	10,5
04010G05	125		12	13,9

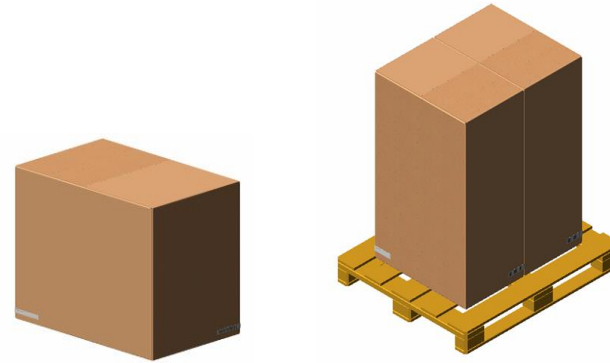


MODEL	CODE	Mod	A	B	C	E	F	G	H	I	D	J	K
			(mm)										
SINGLE PHASE	04010G01	033	447	225	269	230,5	189	274	205	82	50	297	472
	04010G02	050	470	248	269	230,5	189	274	205	82	50	297	495
	04010G03	075	490	268	269	230,5	189	274	205	82	50	297	515
	04010G04	100	490	268	269	230,5	189	274	205	82	50	297	515
	04010G05	125	500	278	269	230,5	189	274	205	82	50	297	525





# Logistics



MODEL	CODES	Mod	BOX SIZE (cm)			PALLET SIZE (*) (cm)			UNITS	20 FEET CONTAINER		40 FEET CONTAINER	
			a	b	c	a	b	c		PALLET	UNITS	PALLETS	UNITS
SINGLE PHASE	04010G01	033	55	32	22	120	100	15	54	594	11	1.188	22
	04010G02	050	55	32	22	120	100	15	54	594	11	1.188	22
	04010G03	075	55	32	22	120	100	15	54	594	11	1.188	22
	04010G04	100	55	32	22	120	100	15	54	594	11	1.188	22
	04010G05	125	55	32	22	120	100	15	54	594	11	1.188	22

(\*) Pallet is optional and not included in the price list