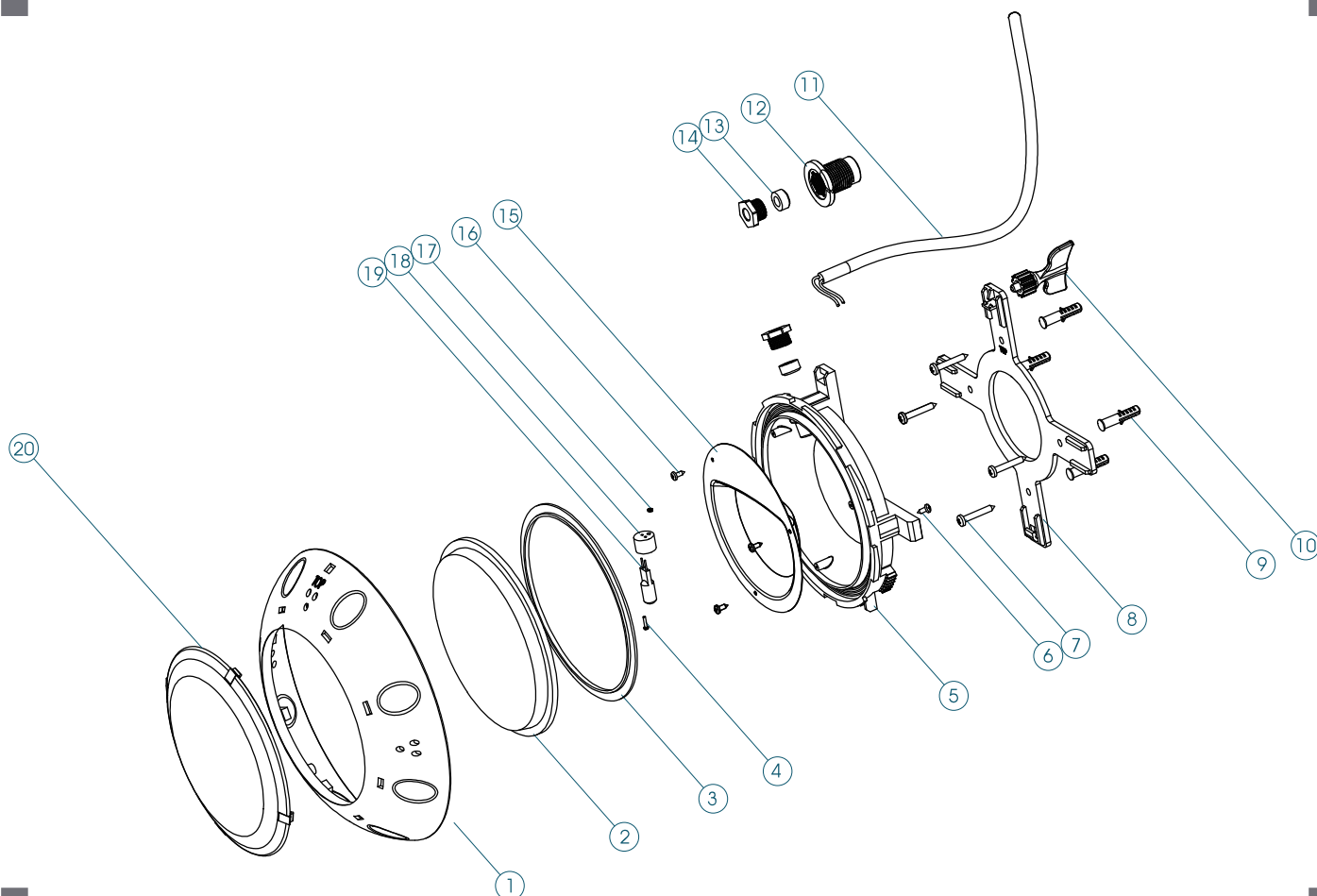


halogen flat

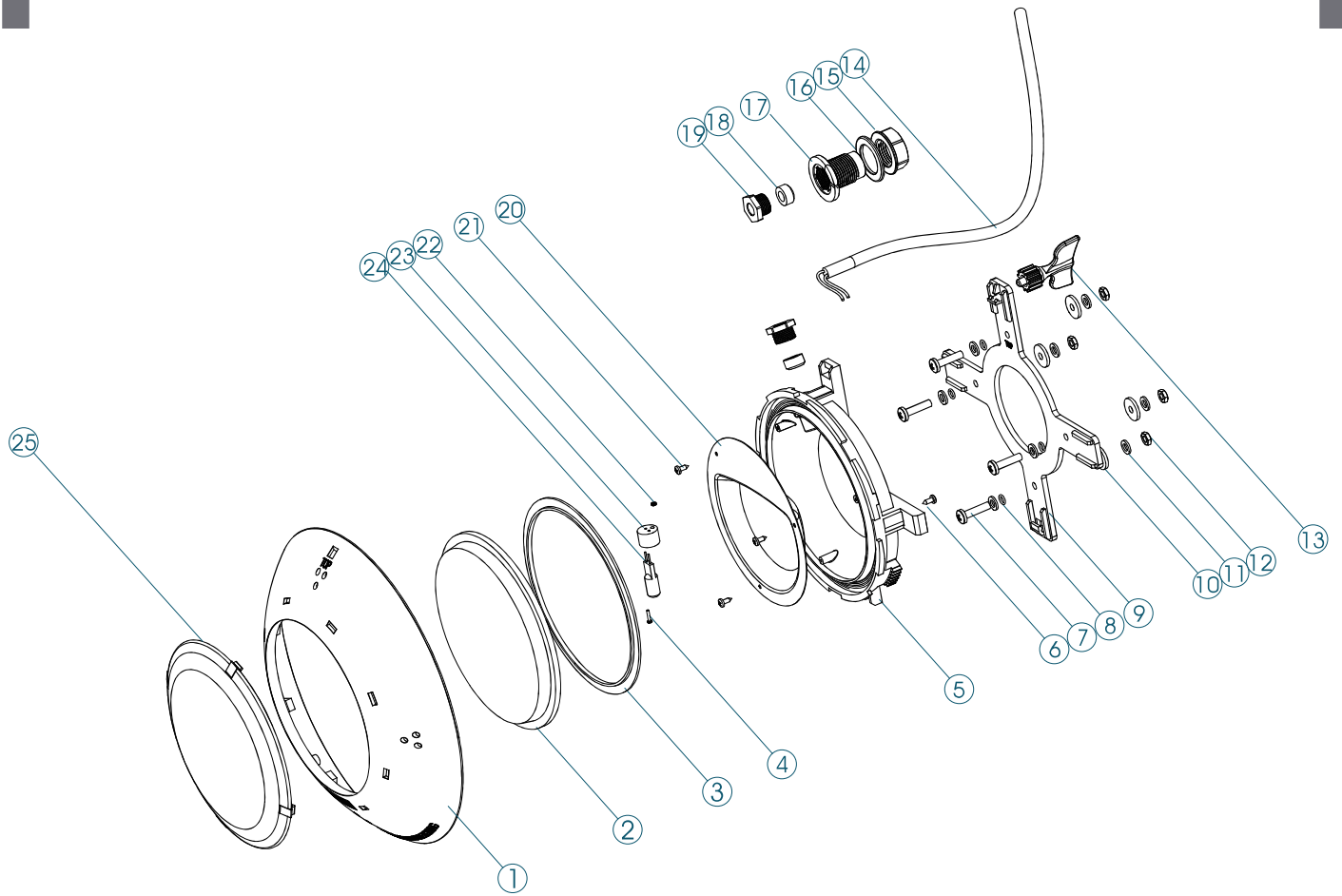
concrete

SPARE



Code	Spare Parts Code	Description	Quantity
1	08020601-0001	Face plate	1
2	45843-0002	Clear lens	1
3	45843-0011	Silicon gasket	1
4	45843-0019	The screws (cross head)	1
5	45843-0008	Rear protection screen	1
6	02100102-003	Tapping screws	1
7	45844-0001	The screws (cross head)	4
8	45843-0007	Bracket	1
9	45843-0017	Plastics expanding bolt	4
10	45843-0006	Spanner	1
11	45843-0015	Electrical cable	1
12	45843-0003	Plastic connector	1
13	45843-0001	Cable fasten gasket	2
14	45843-0014	Cable fasten nut	2
15	45843-0009	Reflector	1
16	45845-0004	Tapping screws	3
17	45843-0020	Nut	1
18	45843-0012	Lamp Holder	1
19	45843-0013	Halogen lamp 12V 75W	1
20	45843-0020	Transparent cover red (opcional)	1
	45843-0021	Transparent cover green (opcional)	1
	45843-0022	Transparent cover blue (opcional)	1

halogen flat liner



Code	Spare Parts Code	Description	Quantity
1	08020601-0001	Face plate	1
2	45843-0002	Clear lens	1
3	45843-0011	Silicon gasket	1
4	45843-0019	The screws (cross head)	1
5	45843-0008	Rear protection screen	1
6	02100102-003	Tapping screws	1
7	45844-0001	The screws (cross head)	4
8	45843-0004	Rubber gasket	4
9	45843-0007	Bracket	1
10	24182-1003M5	Washer	8
11	45843-0005	O-Ring	4
12	45843-0003	Nut	4
13	45843-0006	Spanner	1
14	45843-0016	Electrical cable	1
15	45843-0016	Cable fasten nut	1
16	45845-0005	Flat gasket	1
17	45843-0003	Plastic connector	1
18	45843-0001	Cable fasten gasket	2
19	45843-0014	Cable fasten nut	2
20	45843-0009	Reflector	1
21	45843-0004	Tapping screws	3
22	45843-0003	Nut	1
23	45843-0012	Lamp Holder	1
24	45843-0013	Halogen lamp 12V 75W	1
25	45843-0020	Transparent cover red (opcional)	1
	45843-0021	Transparent cover green (opcional)	1
	45843-0022	Transparent cover blue (opcional)	1

We reserve the right to change all or part of the features of the articles or contents of this document, without prior notice.