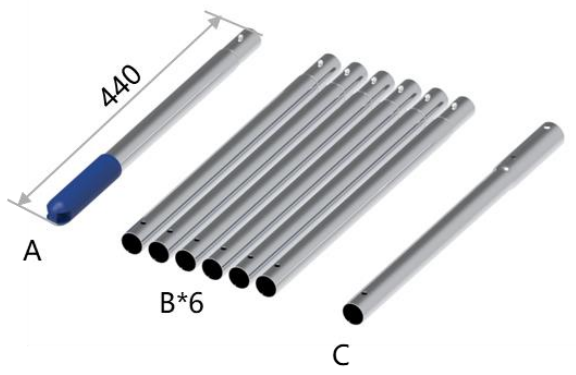
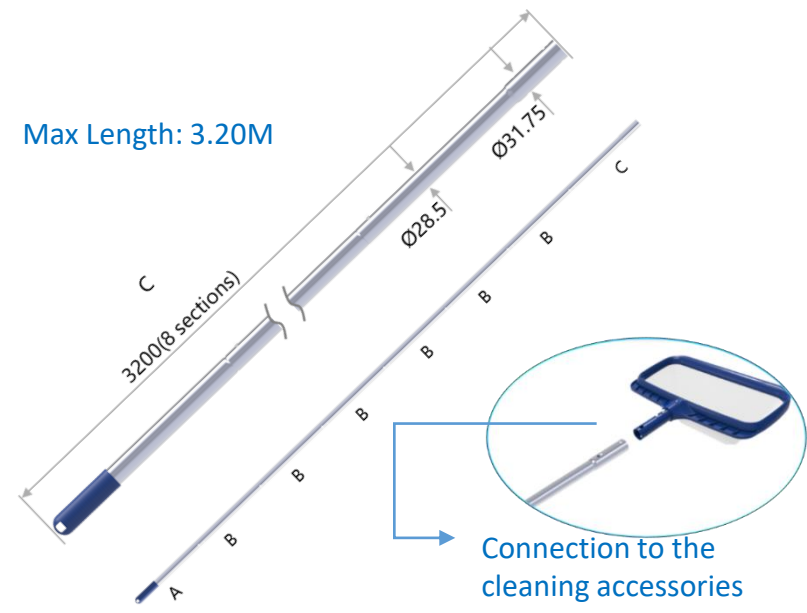




## 8-SECTION COMPACT ALUMINUM POLE



- New( Patent Pending) Telescopic poles with compact design
- Consists of 8 section of poles with maximum length of 3.20m. 1A+6B+1C
- Adjustable length by selected quantities of poles in B type (1 - 6sections)
- Diameter of poles: B:28.50mm C: 31.75mm
- Compact package design to save packing space and logistics cost as well
- Suitable for connection with most of cleaning accessories.
- Convenient and easy assembling



Easy assembling of the poles

