

NINGBO LINYA SWIMMING POOL AND
WATER TREATMENT EQUIPMENT CO. LTD.
PRODUCT: “MULTIPOINT VALVES”

AUGUST 2018

Multiport Valves for every swimming pool

Multiport-valve Expert

Specialized exclusively in multiport-valve during more than 20 years and with origin from Europe AQUANT's range of multiport valves is designed with the user in mind who has to operate. With an innovative design, ease of handling and maximum reliability, these multiport valves, together with filters, are a basic element in achieving the perfect condition of your pool.

Reliable Characteristics

Body, cover and handle in injection-molded ABS. Distributor in PPO. Gaskets in EPDM and metallic elements in Stainless Steel. Cover closing by bolts. Easy installation and maintenance.

Efficient Functions

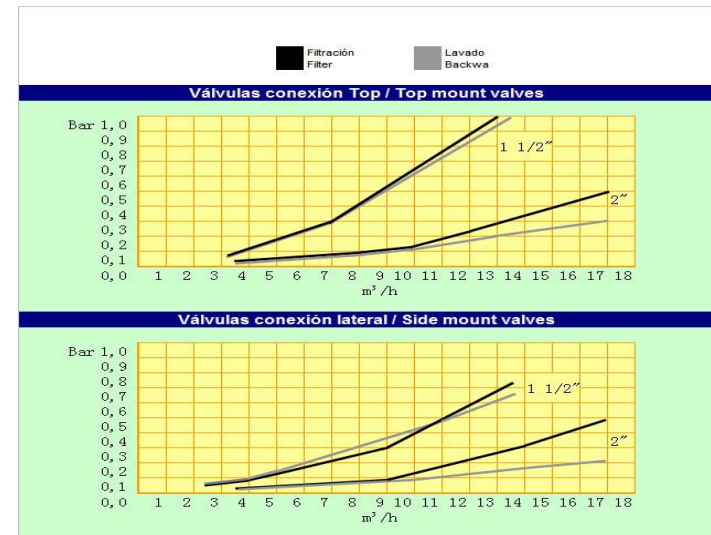
Using the control handle, made in ABS plastic and most easily operated, you can select the desired function of the valve from a choice of six: filtration, emptying, backwashing, rinsing, recirculation and closing.

Wide Range

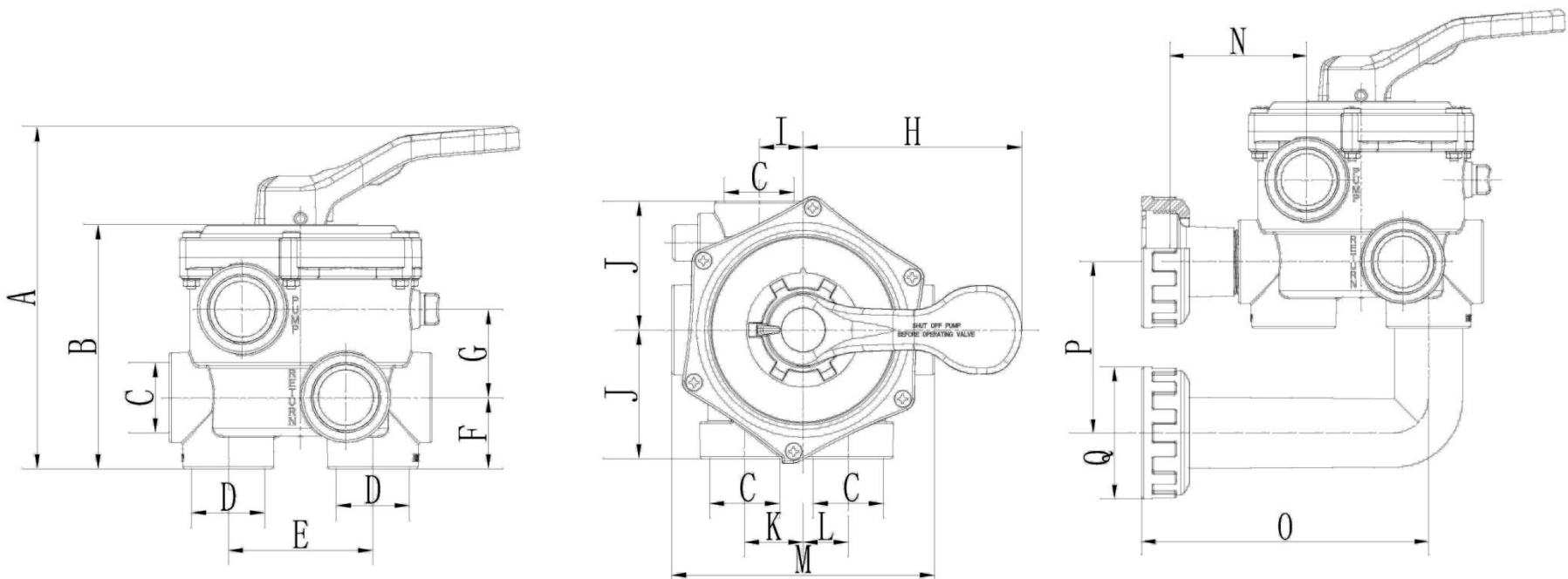
We offer 1.1/4", 1.1/2", and 2", both side and top mount, BSP or NPT version, with or without fittings, inclusive in different colors, more choices for your conveniences.



Technical Specifications



1.5" Side Mount

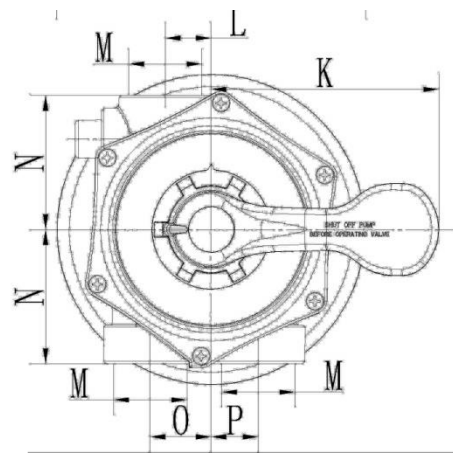
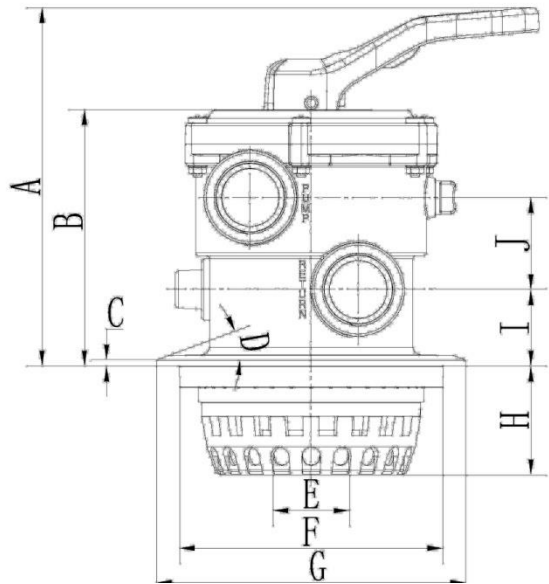


SPECIFICATIONS																		
CODE	A	B	C	D	E	F	G	H	I	J	K	L	M	N	O	P	Q	COLOR
03021201	223	166	1.1/2" (BSP)	50	99	48.5	60	150	30	87.5	40	31	180	100.5	210.5	125	96	White
03021201B	223	166	1.1/2" (BSP)	50	99	48.5	60	150	30	87.5	40	31	180	100.5	210.5	125	96	Black



62cm x 41cm x 32cm

1.5" Top Mount

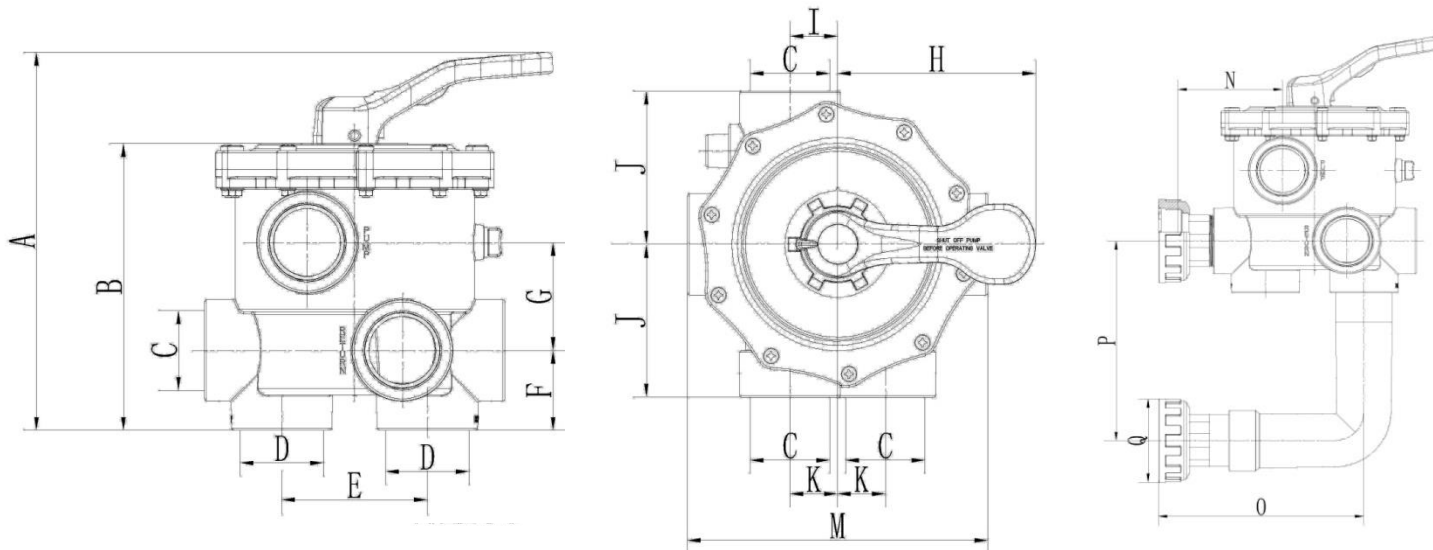


SPECIFICATIONS																	
CODE	A	B	C	D	E	F	G	H	I	J	K	L	M	N	O	P	COLOR
03021101	234	167.5	4	20°	50	173	203	70.6	50	60	150	30	1.1/2" (BSP)	87.5	40	31	Black
03021101B	234	167.5	4	20°	50	173	203	70.6	50	60	150	30	1.1/2" (BSP)	87.5	40	31	White



67cm x 45cm x 32cm

2" Side Mount



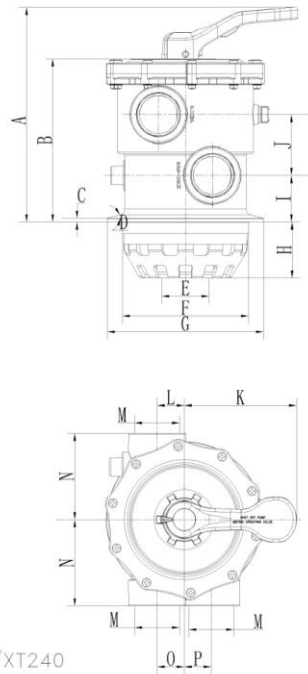
SPECIFICATIONS

CODE	A	B	C	D	E	F	G	H	I	J	K	L	M	N	O	P	Q	COLOR
03021202	284	215	2" (BSP)	63	110	60	81	150	36	115	36	36	227	117	230	230	96	White
03021202B	284	215	2" (BSP)	63	110	60	81	150	36	115	36	36	227	117	230	230	96	Black

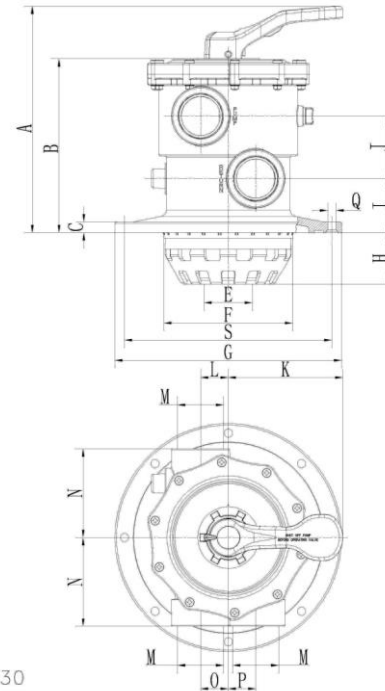


77cm x 55cm x 33cm

2" Top Mount



XT210/XT240



XT230

SPECIFICATIONS

CODE	A	B	C	D	E	F	G	H	I	J	K	L	M	N	O	P	COLOR
03021102	286	217	4	20°	63	173	203	74.4	62	81	150	36	2" (BSP)	115	36	36	White
03021102B	286	217	4	20°	63	173	203	74.4	62	81	150	36	2" (BSP)	115	36	36	Black



68cm x 26.5cm x 40.5cm